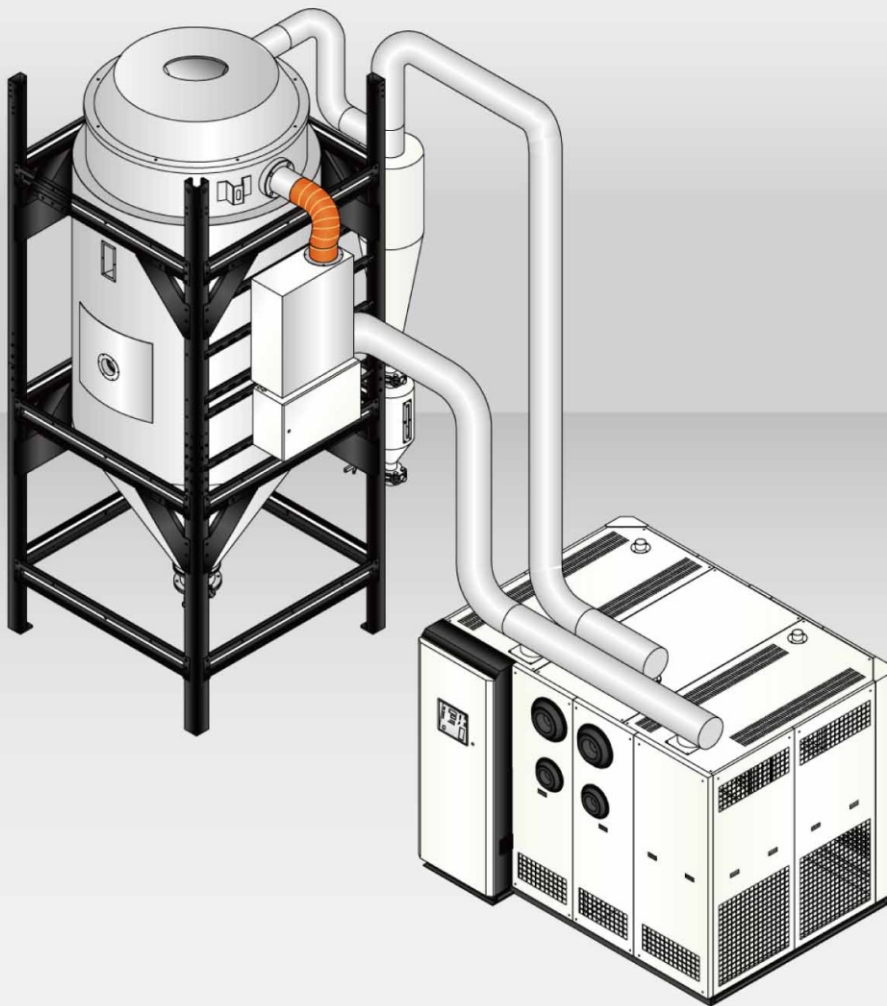




Modular Drying and Dehumidifying



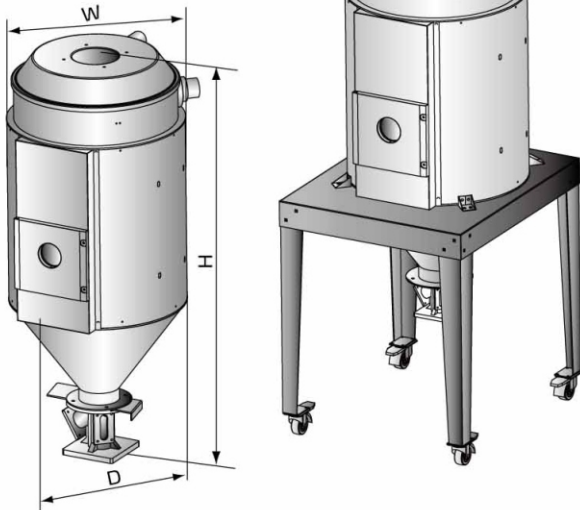
Refer carefully to this manual before operation.

Modular Dryer

Insulation Hopper DH-U

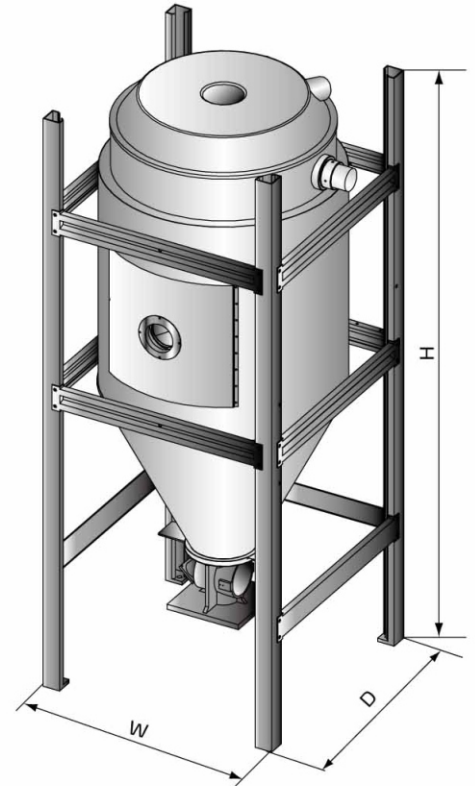
DH-750U and Models Below

- Base is standard
- Floor stand is option (as right)



DH-900~1200U

- Floor stand and magnetic base are Standard

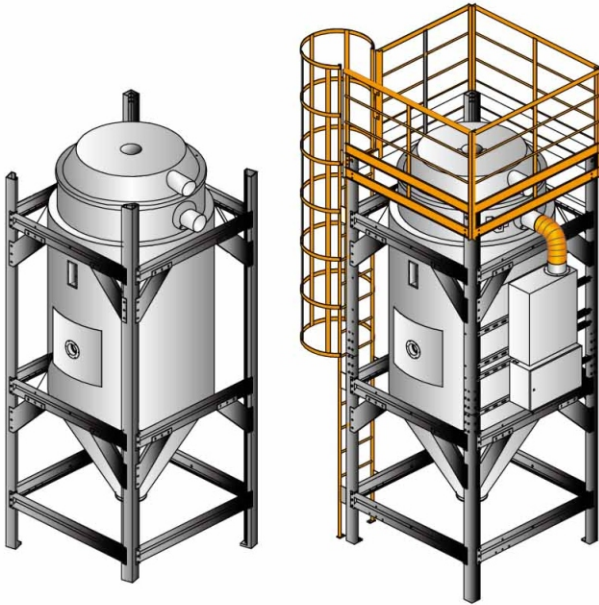


| Model | Capacity(L) | Air inlet pipe dia.(inch) | Air outlet pipe dia.(inch) | Dimension(H×W×D) |
|----------|-------------|---------------------------|----------------------------|------------------|
| DH-20U | 20 | 2 | 1.5 | 790×328×328 |
| DH-40U | 40 | | | 917×396×396 |
| DH-80U | 80 | | | 1080×476×510 |
| DH-120U | 120 | 2.5 | 2 | 1340×476×510 |
| DH-160U | 160 | | | 1352×576×610 |
| DH-230U | 230 | | | 1632×576×610 |
| DH-300U | 300 | 3 | 2.5 | 1582×697×745 |
| DH-450U | 450 | | | 1987×697×745 |
| DH-600U | 600 | | | 2113×916×950 |
| DH-750U | 750 | 4 | 3 | 2373×916×950 |
| DH-900U | 900 | | | 2760×1118×1118 |
| DH-1200U | 1200 | 4 | 4 | 3190×1118×1118 |

Power: 3Φ, 400VAC, 50Hz

DH-1500U and Models Above

- Floor stand and manual butterfly valve is standard
- For models that are equipped with maintenance ladder, add "ML" at model behind (as right).
For models that are equipped with process heater, add "PH" at model behind (as right).



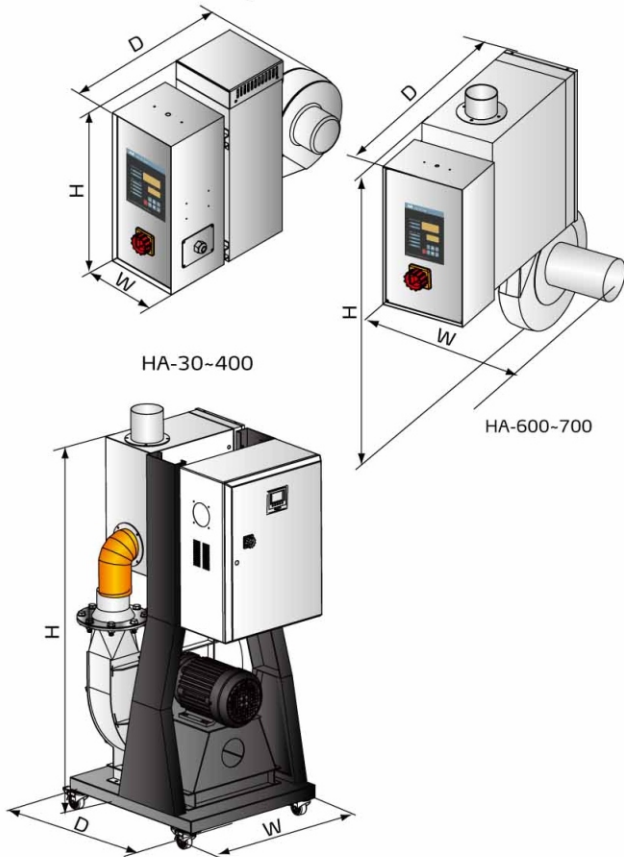
| Model | Capacity (L) | Air inlet pipe dia. (inch) | Air outlet pipe dia. (inch) | Process heater Power*(kW) | Dimension (H×W×D) |
|----------|--------------|----------------------------|-----------------------------|---------------------------|-------------------|
| DH-1500U | 1500 | 5 | 5 | 32 | 3470×1306×1306 |
| DH-2000U | 2000 | | | | 3870×1306×1306 |
| DH-2500U | 2500 | 6 | 6 | 58 | 4000×1466×1466 |
| DH-3000U | 3000 | | | | 4400×1466×1466 |
| DH-3500U | 3500 | 8 | 8 | 64 | 4800×1466×1466 |
| DH-4000U | 4000 | | | | 4568×1680×1680 |
| DH-5000U | 5000 | 8 | 8 | 80 | 5168×1680×1680 |
| DH-6000U | 6000 | | | | 4920×1880×1880 |
| DH-7000U | 7000 | 10 | 10 | 96 | 5840×1890×1890 |
| DH-8000U | 8000 | | | | 6441×1912×1912 |

Notes:

1) Power: 3Φ, 400VAC, 50Hz

2) "*" stands for optional

Hot Air Dryer HA



HA-30-400

HA-600-700

HA-1000 and Models Above

| Model | Blower power (kW) | Process heater power (kW) | Heating box air outlet pipe dia. (inch) | Dimension (H×W×D) |
|---------|-------------------|---------------------------|---|-------------------|
| HA-30 | 0.05 | 2.2 | 2 | 437×284×558 |
| HA-40 | 0.12 | 3 | 2 | 437×334×608 |
| HA-60 | 0.12 | 3.9 | 2.5 | 505×334×669 |
| HA-100 | 0.12 | 6 | 3 | 613×347×725 |
| HA-200 | 0.18 | 12 | 3 | 755×363×817 |
| HA-400 | 0.55 | 18 | 4 | 645×442×975 |
| HA-600 | 0.55 | 24 | 4 | 1029×410×1111 |
| HA-700 | 1.1 | 24 | 4 | 1091×427×1188 |
| HA-1000 | 3 | 32 | 5 | 1850×660×880 |
| HA-1500 | 5.5 | 58 | 6 | 2010×780×1000 |
| HA-2000 | 7.5 | 64 | 6/8* | 2290×990×1000 |
| HA-2500 | 11 | 80 | 8 | 2376×940×1040 |
| HA-3000 | 15 | 96 | 8 | 2376×994×1040 |
| HA-3500 | 18.5 | 96 | 8 | 2376×994×1050 |
| HA-4000 | 22 | 128 | 10 | 2560×1105×1050 |

Notes:

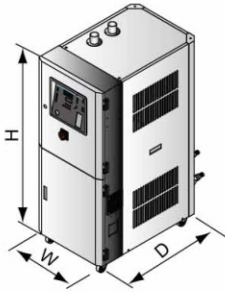
1) Power: 3Φ, 400VAC, 50Hz

2) "*" stands for dia. of DH-3500U is 6", dia. of DH-4000U is 8"

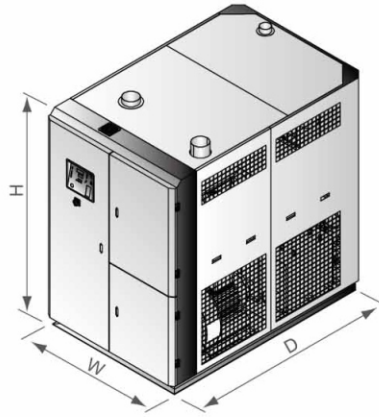
Modular Dryer

■ Honeycomb Dehumidifier SD-H

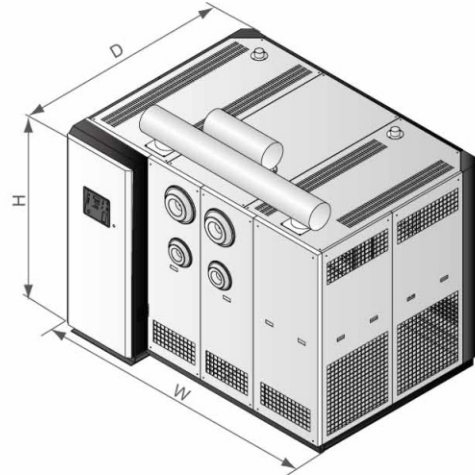
- For models that are equipped with optional process heater temperature controller, add "C" at model behind.
- For models that are equipped with optional process heater and temperature controller, add "PHC" at model behind.



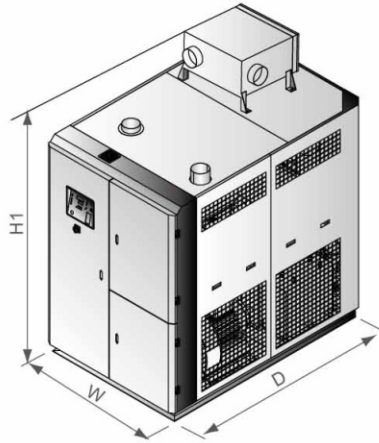
SD-40H-700H-C(PHC)



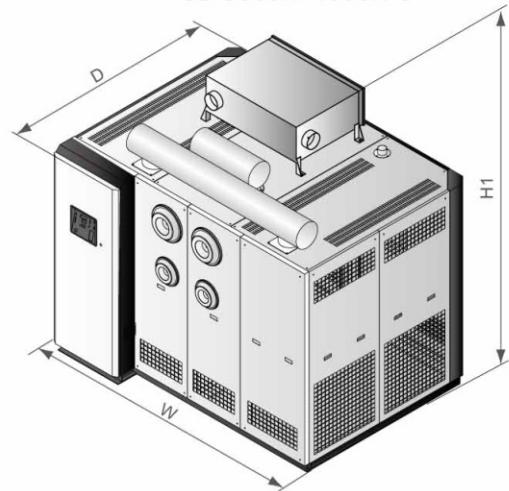
SD-1000H-2000H-C



SD-3000H-4000H-C



SD-1000H-2000H-PHC



SD-3000H-4000H-PHC

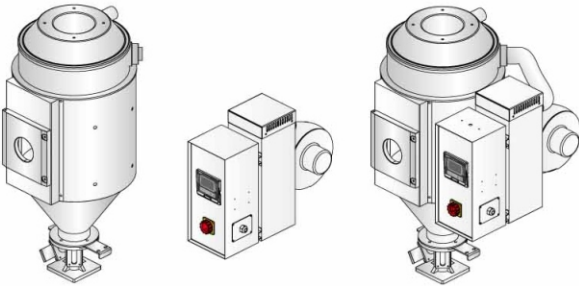
■ Specifications

| Model | SD- | 40H | 100H | 200H | 400H | 700H | 1000H | 1500H | 2000H | 3000H | 4000H |
|--|-----|-------|---------|---------|---------|---------|-----------|-----------|-----------|-----------|-----------|
| Dryign Air Quantity (m ³ /hr,50/60Hz) | | 40/50 | 100/120 | 200/220 | 400/450 | 700/780 | 1000/1150 | 1500/1750 | 2000/2300 | 3000/3400 | 4000/4500 |
| Pipe Dia. (inch) | | 2 | 2 | 2.5 | 3 | 4 | 5 | 6 | 8 | 8 | 12 |
| Dimension | | | | | | | | | | | |
| H/H1(mm) | | 1260 | 1360 | 1560 | 1745 | 1935 | 2145/2505 | 2060/2490 | 2060/2490 | 2240/2670 | 2060/2535 |
| W(mm) | | 510 | 530 | 660 | 700 | 900 | 1300 | 1410 | 1410 | 2035 | 2750 |
| D(mm) | | 860 | 820 | 1050 | 1255 | 1380 | 1550 | 2150 | 2150 | 2150 | 2150 |

Power: 3Φ, 230/400/460/575VAC, 50/60Hz

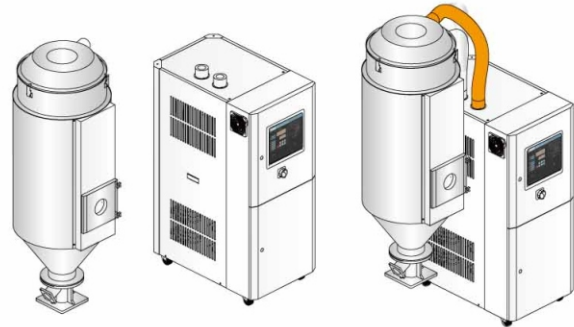
■ Modularization Combination

Modular Hot-air Dryer



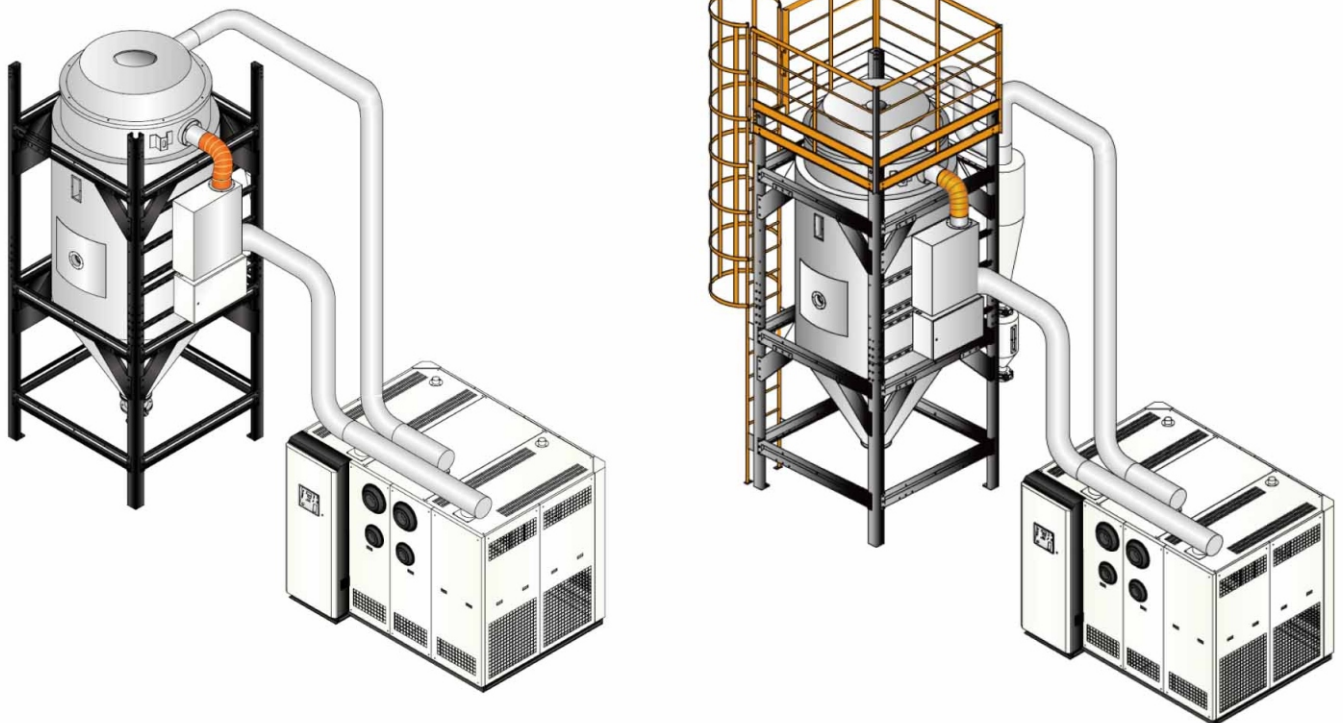
HA series consists of 22 kinds of hot air dryer whose drying air volume is 30~4000 m³/hr. By being flexibly combined with insulation hopper DH-U of different capacities, HA can become hopper dryers which have the same function with hopper dryer SHD-U.

Modular Dehumidifying Dryer



By Flexible combination in all size of insulateel hopper and dehumidifier, SD-PHC (with heater and controller) can become dehumidifying dryers which have the same function with SDD (with optional floor stand).

Dehumidifying Dryers System



The dehumidifying dryers system consists of Honeycomb Dehumidifier SD-H-C and Hopper Dryer DH-U-PH. It includes the floor stand version or customized plateform version. If there are too much dust contaminate the raw material, cyclone dust-collector ACF can be selected.

Modular Dryer

Model Selection Guide

| Model | DH-20U | DH-40U | DH-80U | DH-120U | DH-160U | DH-230U | DH-300U | DH-450U | DH-600U | DH-750U |
|--------|--------|--------|--------|---------|---------|---------|---------|---------|---------|---------|
| HA-30 | ✓ | | | | | | | | | |
| HA-40 | | ✓ | | | | | | | | |
| HA-60 | | | ✓ | ✓ | | | | | | |
| HA-100 | | | | | ✓ | ✓ | | | | |
| HA-200 | | | | | | | ✓ | ✓ | | |
| HA-400 | | | | | | | | | ✓ | ✓ |

| Model | DH-900U | DH-1200U | DH-1500U | DH-2000U | DH-2500U | DH-3000U | DH-3500U | DH-4000U | DH-5000U | DH-6000U | DH-7000U | DH-8000U |
|---------|---------|----------|----------|----------|----------|----------|----------|----------|----------|----------|----------|----------|
| HA-600 | ✓ | | | | | | | | | | | |
| HA-700 | | ✓ | | | | | | | | | | |
| HA-1000 | | | ✓ | ✓ | | | | | | | | |
| HA-1500 | | | | | ✓ | ✓ | | | | | | |
| HA-2000 | | | | | | | ✓ | ✓ | | | | |
| HA-2500 | | | | | | | | | ✓ | | | |
| HA-3000 | | | | | | | | | | ✓ | | |
| HA-3500 | | | | | | | | | | | ✓ | |
| HA-4000 | | | | | | | | | | | | ✓ |

| Model | DH-20U | DH-40U | DH-80U | DH-120U | DH-160U | DH-230U | DH-300U | DH-450U | DH-600U | DH-750U |
|-------------|--------|--------|--------|---------|---------|---------|---------|---------|---------|---------|
| SD-40H-PHC | ✓ | ✓ | ✓ | | | | | | | |
| SD-100H-PHC | | | | ✓ | ✓ | ✓ | | | | |
| SD-200H-PHC | | | | | | | ✓ | ✓ | | |
| SD-400H-PHC | | | | | | | | | ✓ | ✓ |

| Model | DH-900U | DH-1200U | DH-1500U | DH-2000U | DH-2500U | DH-3000U | DH-3500U | DH-4000U | DH-5000U | DH-6000U | DH-7000U | DH-8000U |
|--------------|---------|----------|----------|----------|----------|----------|----------|----------|----------|----------|----------|----------|
| SD-700H-PHC | ✓ | ✓ | | | | | | | | | | |
| SD-1000H-PHC | | | ✓ | ✓ | | | | | | | | |
| SD-1500H-PHC | | | | | ✓ | ✓ | ✓ | | | | | |
| SD-2000H-PHC | | | | | | | | ✓ | ✓ | | | |
| SD-3000H-PHC | | | | | | | | | | ✓ | ✓ | |
| SD-4000H-PHC | | | | | | | | | | | | ✓ |

Notes:

- 1) Power: 3 Φ , 400VAC, 50Hz
- 2) For models that are equipped with optional process heater temperature controller, add "C" at model behind.
- 3) For models that are equipped with optional process heater and temperature controller, add "PHC" at model behind.

Shini Group

Addr.: No. 23, Minhe St., Shulin Dist., New Taipei, Taiwan

Tel: +886 2 2680 9119

FAX: +886 2 2680 9229

Email: shini@shini.com